



T&S BRASS AND BRONZE WORKS, INC.
 2 Saddleback Cove / P.O. Box 1088
 Travelers Rest, SC 29690

Model No.
EU-7133

Item No.

Travelers Rest, SC: 800-476-4103 • Simi Valley, CA: 800-423-0150 • Fax: 864-834-3518 • www.tsbrass.com

This Space for Architect/Engineer Approval

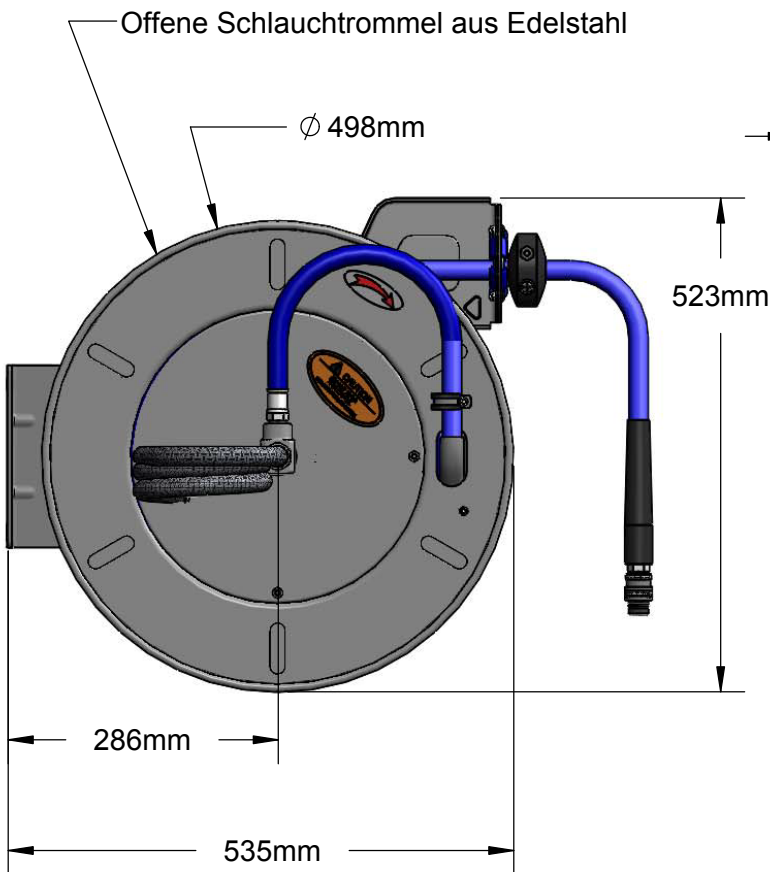
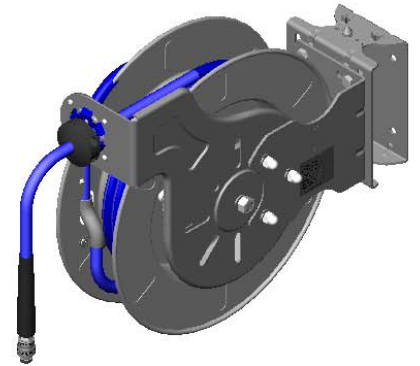
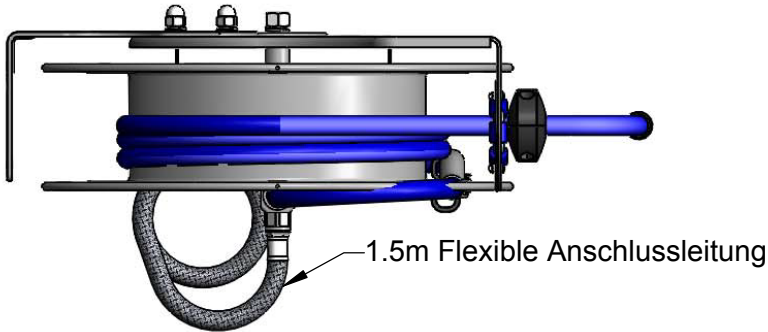
Job Name _____ Date _____

Model Specified _____ Quantity _____

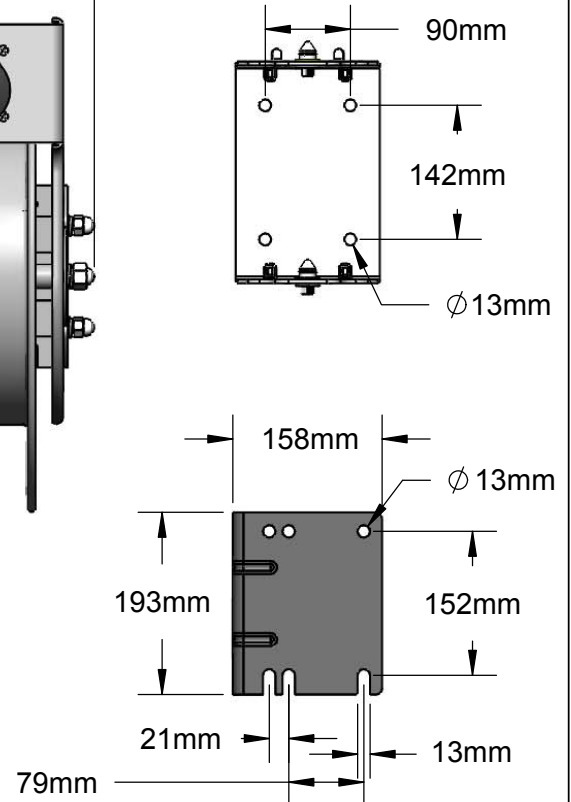
Customer/Wholesaler _____

Contractor _____

Architect/Engineer _____



Wandhalterung



Product Specifications:
 1/2" x 35' [12.7mm x 10.68m] Open Stainless Steel Reel w/ 1/2" NPT Quick Disconnect, 1.5m Flexible Stainless Steel Supply Hose w/ 1/2" BSPP Female Inlet & EasyInstall Stainless Steel Hose Reel Bracket w/ Reel-to-Bracket Mounting Hardware

Product Compliance:
 NSF 61 Exempt (Non-Potable)



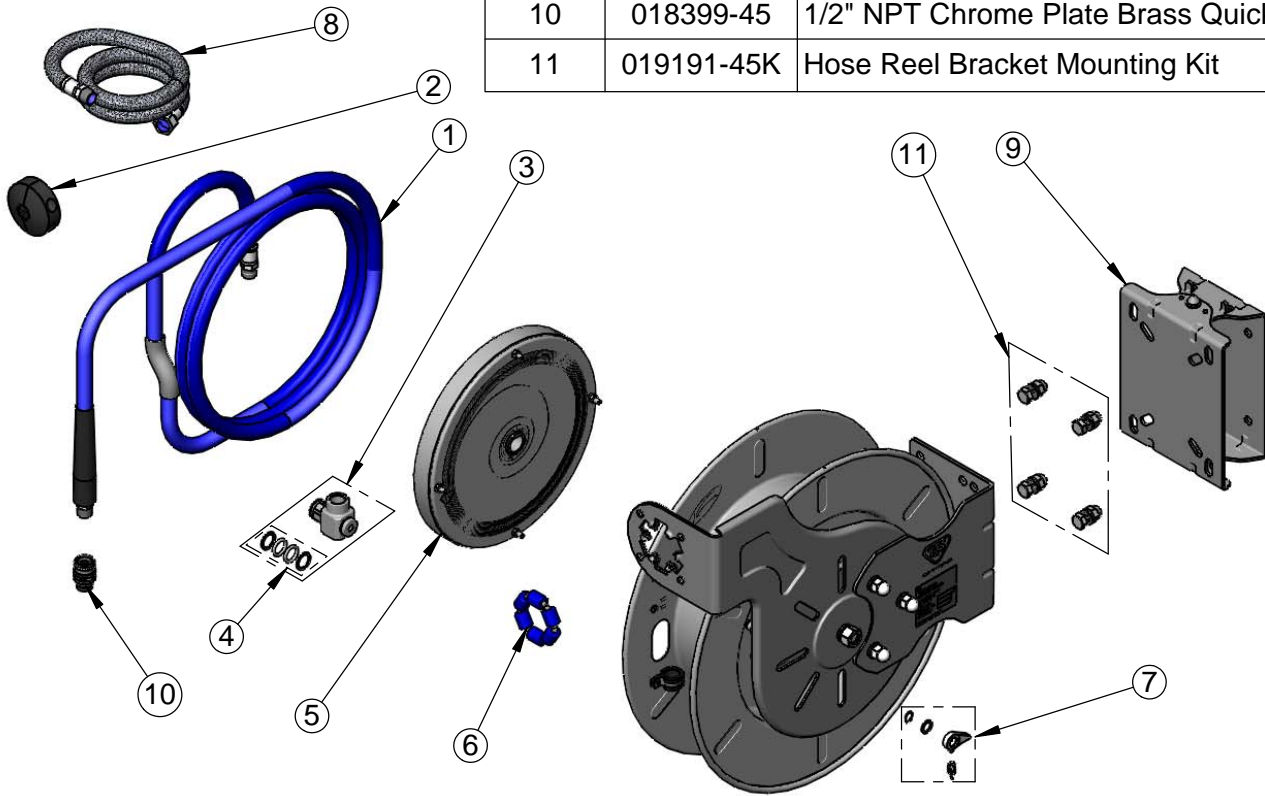
T&S BRASS AND BRONZE WORKS, INC.
 2 Saddleback Cove / P.O. Box 1088
 Travelers Rest, SC 29690

Model No.
EU-7133

Item No.

Travelers Rest, SC: 800-476-4103 • Simi Valley, CA: 800-423-0150 • Fax: 864-834-3518 • www.tsbrass.com

ITEM NO.	SALES NO.	DESCRIPTION
1	015089-45	1/2" x 35' [12.7mm x 10.68m] Hose Replacement Kit
2	019499-45	1/2" [12.7mm] Hose Stop Repair Kit
3	014947-45	1/2" [12.7mm] Swivel Repair Kit
4	019473-45	O-Ring Replacement Kit
5	014935-45	Large Stainless Steel Spring
6	014938-45	Roller Replacement Kit
7	014940-45	Ratchet Repair Kit
8	017888-45	1.5m Flexible Stainless Steel Supply Hose w/ 1/2" BSPP Female x 1/2" NPT Male
9	G019430-45	EasyInstall Stainless Steel Hose Reel Swing Bracket
10	018399-45	1/2" NPT Chrome Plate Brass Quick Disconnect
11	019191-45K	Hose Reel Bracket Mounting Kit



Product Specifications:
 1/2" x 35' [12.7mm x 10.68m] Open Stainless Steel Reel w/ 1/2" NPT Quick Disconnect, 1.5m Flexible Stainless Steel Supply Hose w/ 1/2" BSPP Female Inlet & EasyInstall Stainless Steel Hose Reel Bracket w/ Reel-to-Bracket Mounting Hardware

Product Compliance:
 NSF 61 Exempt (Non-Potable)